

A. Installation warning:

- 1.HID light will conduct 23000 voltage when it's start-up which is seriously dangerous.You are suggested to intall this product in our exclusive store and don't install by yourself.
- 2.HID lamp tube is made of glass,Please don't touch the lamp tube diectly by your hand,using the cotton glove when install the lamp tube.
- 3.Before installation,make sure turn off the power.

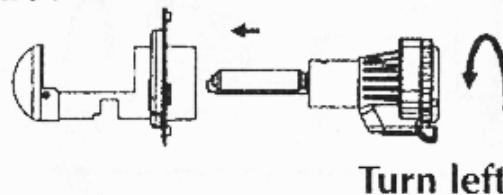
B. Product profile

- ① Ray axis can be controlled upward and downward for 1 mm, forward or backward for 4 mm.
- ②The round cover in the top of the reflector can be disassembled which can prevent the reflector holding the front glass from not being fully installed.
- ③Outstanding waterproof performance with two waterproof rings on the H4 Hi/Low.
- ④ Easy to install.The space behind certain automobile headlamp is limited, which makes it difficult to install the H4 Hi/Low bulbs. To solve this problem, we developed an innovative way of installing the parts separately. Our bulb assembly is in two parts: The bulb holder and the bulb. Thereby you install the bulb holder first,cover the assembly with the waterproof boot and then insert the bulb into the holder.
- ⑤ This HID kid can be regulated flexibly and works stably High and low light is easy available, and will not fail in the dark. The high beam and low beam can be operated for 130,000 times The
- ⑥ material for this bulb are designed to endure temperatures up to 330℃.

Hi/Lo light installation process

1. At first circumvolve and pull out the lamp holder ,disassembly

As chart :



2.Install the lamp holder to headlight socket and press tightly by spring .when installation the lamp holder, the headlight inside reflector will hold the lamp holder ,please disassemble the top of the lamp holder, (As the right chart A). After install the lamp holder property, then install the hind part of lamp (socket) to the lamp holder and fully installed. (Circumvolve toward right) . as following chart.

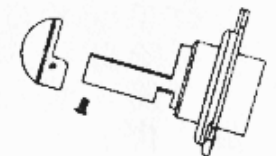
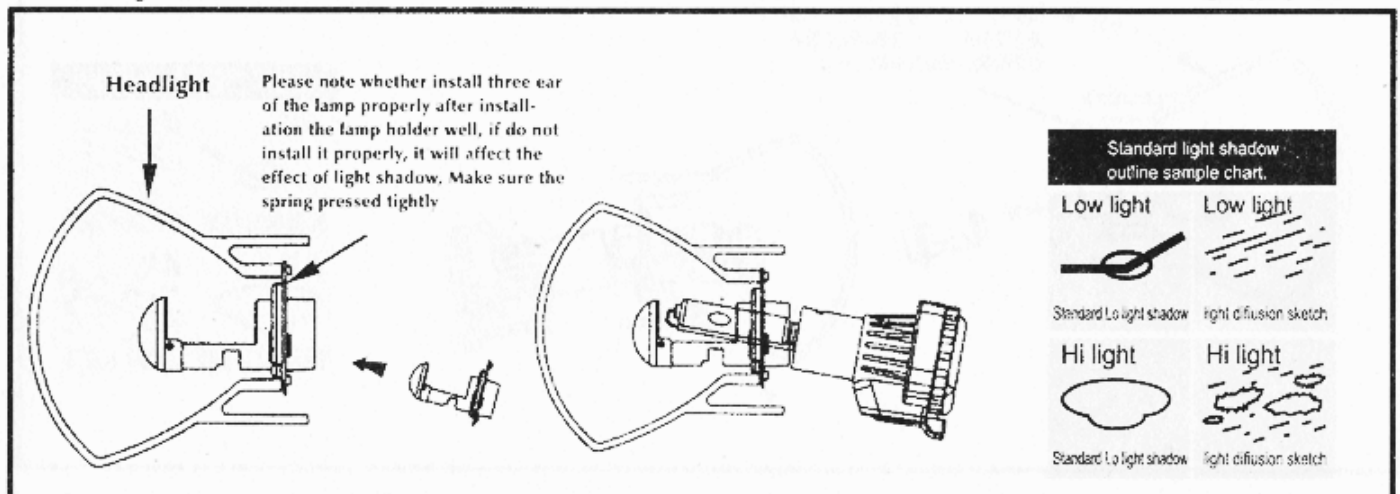
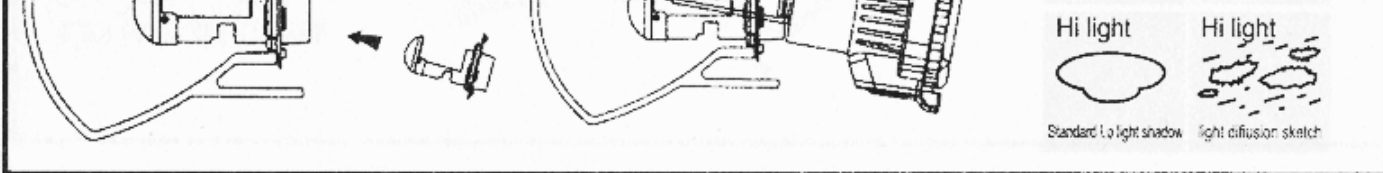
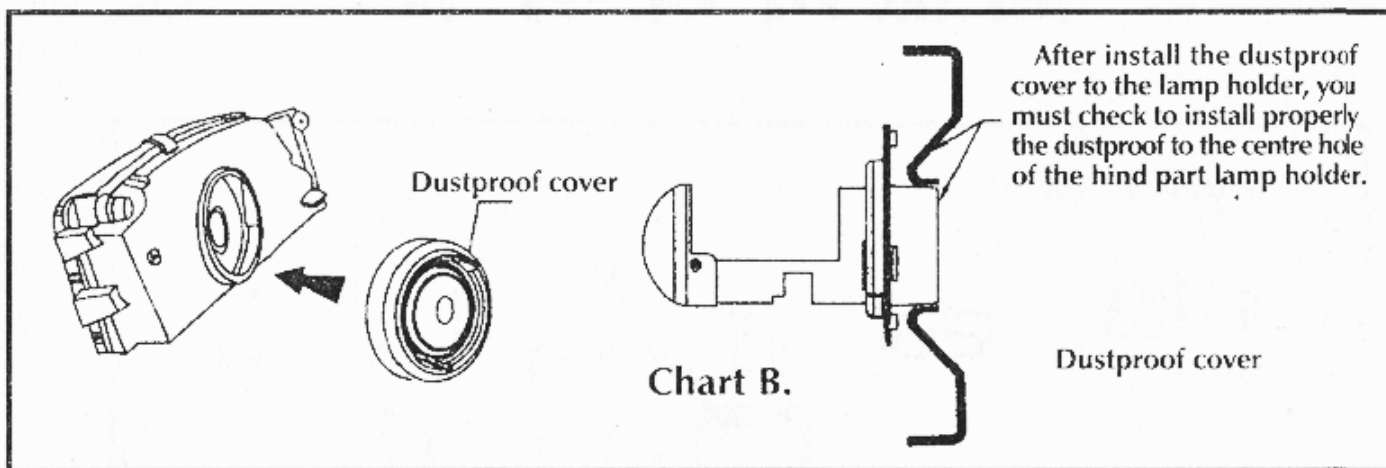


Chart A

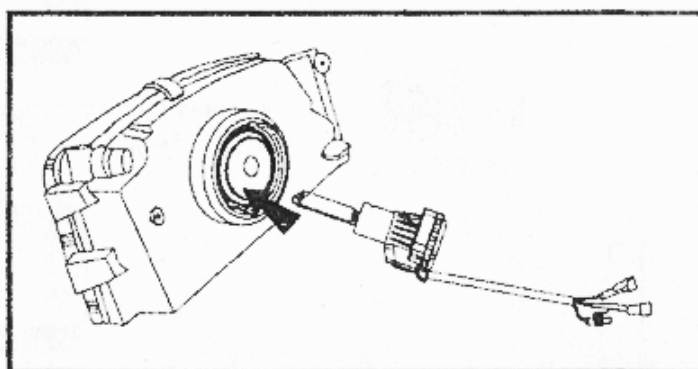




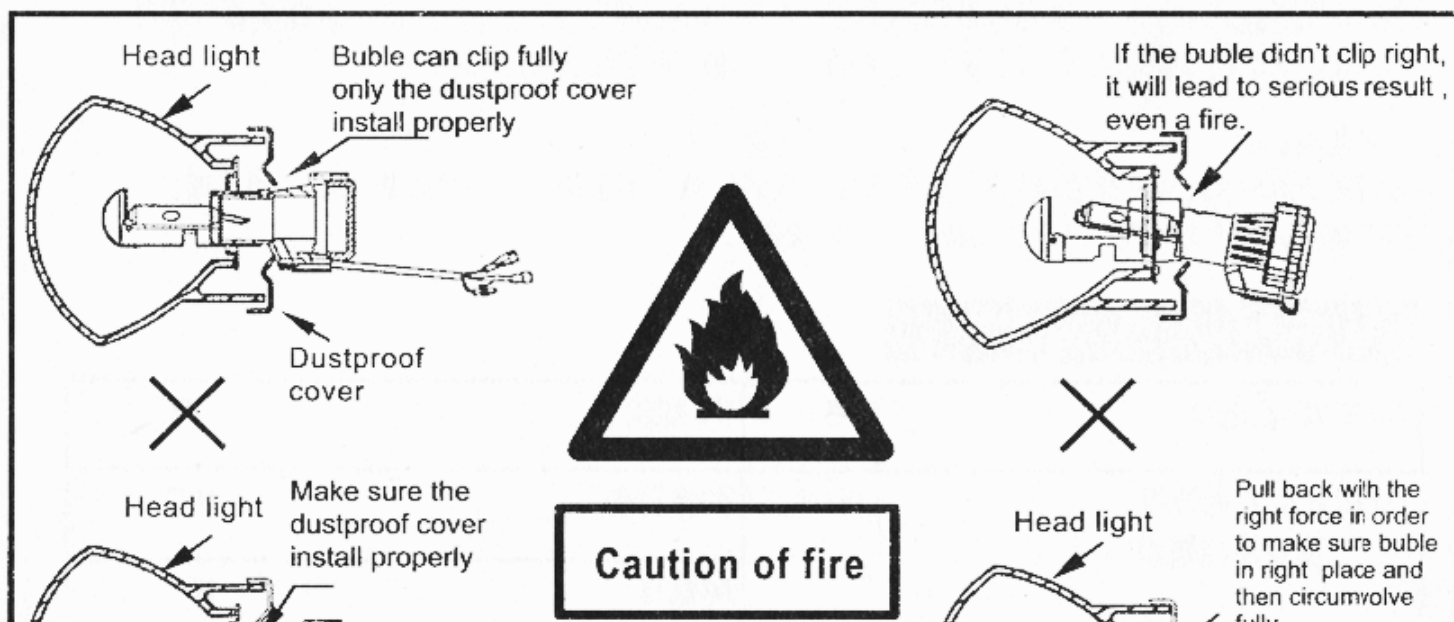
- ⚠ 3. After adjust the light shadow properly, circumvolve the hind part of the lamp toward left and turn out, cover the dustproof cover properly. As following chart and chart B.

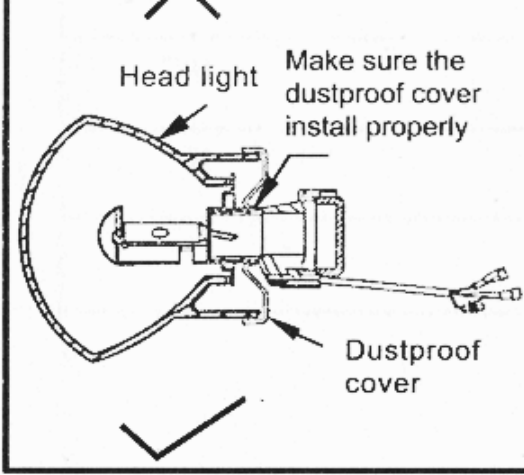


4. Install the Hi/Lo to the lamp holder and circumvolve toward right fully.



- ⚠ 5. You must install properly forward then circumvolve and make the lamp holder tightly. Otherwise cause the Hi/Lo light shock during drive, even result in the hind part Hi/Lo loose and the luminous point approach the lamp holder, In this way the plastic part of lamp holder can not endure the high temperature which can easy cause to burn out the lamp holder, even risk of fire.





Caution of fire

